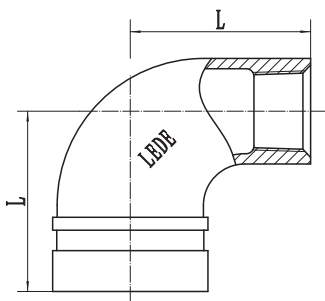


90° Reducing Elbow



Nominal Size (mm/in)	Dimensions L (mm)	Working Pressure (psi)
32×15	61	300
1 ¹ / ₄ ×1 ¹ / ₂		
32×20		
1 ¹ / ₄ ×3 ³ / ₄		
32×25		
1 ¹ / ₄ ×1	64	
40×15		
1 ¹ / ₂ ×1 ¹ / ₂		
40×20		
1 ¹ / ₂ ×3 ³ / ₄		
40×25	70	
1 ¹ / ₂ ×1		
50×15		
2×1 ¹ / ₂		
50×20		
2×3 ³ / ₄	76	
50×25		
2×1		
65×15		
2 ¹ / ₂ ×1 ¹ / ₂		
65×20	76	
2 ¹ / ₂ ×3 ³ / ₄		
65×25		
2 ¹ / ₂ ×1		