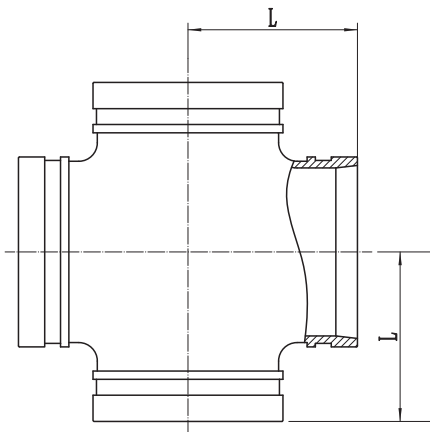


Grooved Cross



Nominal Size mm/in	Pipe O.D mm/in	Dimensions		Working Pressure (psi)
		L (mm)		
		Short		
50	60.3	70		300
2	2.375	70		
65	73	76		
2 1/2	2.875	76		
65	76.1	76		
2 1/2	3	86		
80	88.9	86		
3	3.5	102		
100	108	102		
4	4.25	102		
100	114.3	121		
4	4.5	121		
125	133	121		
5	5.25	130		
125	139.7	130		
5	5.5	140		
150	159	140		
6	6.25	174		
150	165.1	174		
6	6.5	215		
150	168.3	215		
6	6.625	245		
200	219.1	245		
8	8.625	245		
250	273	245		
10	10.75	245		
300	323.9	245		
12	12.75	245		

Nominal Size mm/in	Pipe O.D mm/in	Dimensions		Working Pressure (psi)
		L (mm)		
		Standard		
50	60.3	83		300
2	2.375	83		
65	73	95		
2 1/2	2.875	95		
65	76.1	95		
2 1/2	3	108		
80	88.9	108		
3	3.5	127		
100	108	127		
4	4.25	127		
100	114.3	140		
4	4.5	140		
125	133	140		
5	5.25	165		
125	139.7	165		
5	5.5	165		
150	159	165		
6	6.25	197		
150	165.1	197		
6	6.5	229		
150	168.3	229		
6	6.625	254		
200	219.1	254		
8	8.625	254		
250	273	254		
10	10.75	254		
300	323.9	254		
12	12.75	254		