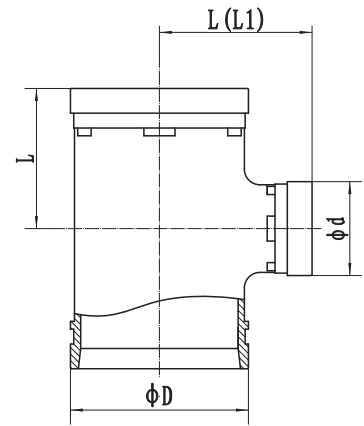


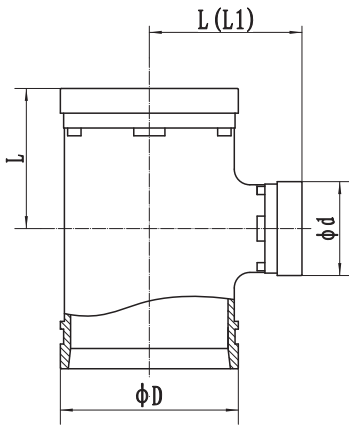
Grooved Reducing Tee



300

Nominal Size mm/in	Pipe O.D mm/in	Dimensions				Working pressure (Psi)
		L (mm)		D	d	
		L	L1	L	mm	
50×32	60.3×42.4			70	60	42
2×1¼	2.375×1.669			70	60	48
50×40	60.3×48.3			76	73	42
2½×1¼	2.875×1.669			76	73	48
65×32	73×42.4			76	76	42
2½×1½	2.875×1.9			76	76	60
65×40	73×48.3			86	89	42
2½×1¼	2.875×1.669			86	89	48
65×50	73×60.3			86	89	60
2½×2	2.875×2.375			86	89	73
65×32	76.1×42.4			86	89	76
2½×1½	3×1.9			90	98	60
65×40	76.1×48.3			90	98	73
2½×1½	3×1.9			90	98	76
65×50	76.1×60.3			90	98	89
2½×2	3×2.375			90	98	102
80×32	88.9×42.4			90	98	102
3×1¼	3.5×1.669			90	98	102
80×40	88.9×48.3			90	98	102
3×1½	3.5×1.9			90	98	102
80×50	88.9×60.3			90	98	102
3×2	3.5×2.375			90	98	102
80×65	88.9×73			90	98	102
3×2½	3.5×2.875			90	98	102
80×65	88.9×76.1			90	98	102
3×2½	3.5×3			90	98	102
100×50	108×60.3			90	98	102
4×2	4.25×2.375			90	98	102
100×65	108×73			90	98	102
4×2½	4.25×2.875			90	98	102
100×65	108×76.1			90	98	102
4×2½	4.25×3			90	98	102
100×80	108×88.9			90	98	102
4×3	4.25×3.5			90	98	102
100×32	114.3×42.4			90	98	102
4×1¼	4.5×1.669			90	98	102
100×40	114.3×48.3			90	98	102
4×1½	4.5×1.9			90	98	102
100×50	114.3×60.3			90	98	102
4×2	4.5×2.375			90	98	102
100×65	114.3×73			90	98	102
4×2½	4.5×2.875			90	98	102
100×65	114.3×76.1			90	98	102
4×2½	4.5×3			90	98	102
100×80	114.3×88.9			90	98	102
4×3	4.5×3.5			90	98	102
125×65	133×76.1			105	121	133
5×2½	5.25×3			105	121	133
125×80	133×88.9			105	121	133
5×3	5.25×3.5			105	121	133
125×100	133×108			105	121	133
5×4	5.25×4.25			105	121	133
125×100	133×114.3			105	121	133
5×4	5.25×4.5			105	121	133
125×50	139.7×60.3			105	121	140
5×2	5.5×2.375			105	121	140
125×65	139.7×76.1			105	121	140
5×2½	5.5×3			105	121	140
125×80	139.7×88.9			105	121	140
5×3	5.5×3.5			105	121	140
125×100	139.7×108			105	121	140
5×4	5.5×4.25			105	121	140

Grooved Reducing Tee



Nominal Size mm/in	Pipe O.D mm/in	Dimensions				Working pressure (Psi)		
		L (mm)			D		d	
		L	L1	L	mm		mm	
125×100 5×4	139.7×114.3 5.5×4.5			SHORT	SHORT (+)	mm	mm	300
125×125 5×5	139.7×133 5.5×5.25	105	121	140	114			
125×50 5×2	141.3×60.3 5.563×2.375	105	121	141	60			
125×65 5×2½	141.3×73 5.563×2.875	105	121	141	73			
125×80 5×3	141.3×88.9 5.563×3.5	105	121	141	89			
125×100 5×4	141.3×114.3 5.563×4.5	105	121	141	114			
150×65 6×2½	159×76.1 6.25×3	110	120	130	159	76		
150×80 6×3	159×88.9 6.25×3.5	110	120	130	159	89		
150×100 6×4	159×108 6.25×4.25	110	120	130	159	108		
150×100 6×4	159×114.3 6.25×4.5	110	120	130	159	114		
150×125 6×5	159×133 6.25×5.25	110	120	130	159	133		
150×125 6×5	159×139.7 6.25×5.5	110	120	130	159	140		
150×50 6×2	165.1×60.3 6.5×2.375	110	120	130	165	60		
150×65 6×2½	165.1×76.1 6.5×3	110	120	130	165	76		
150×80 6×3	165.1×88.9 6.5×3.5	110	120	130	165	89		
150×100 6×4	165.1×108 6.5×4.25	110	120	130	165	108		
150×100 6×4	165.1×114.3 6.5×4.5	110	120	130	165	114		
150×125 6×5	165.1×133 6.5×5.25	110	120	130	165	133		
150×125 6×5	165.1×139.7 6.5×5.5	110	120	130	165	140		
150×50 6×2	168.3×60.3 6.625×2.375	110	120	140	168	60		
150×65 6×2½	168.3×76.1 6.625×3	110	120	140	168	76		
150×80 6×3	168.3×88.9 6.625×3.5	110	120	140	168	89		
150×100 6×4	168.3×108 6.625×4.25	110	120	140	168	108		
150×100 6×4	168.3×114.3 6.625×4.5	110	120	140	168	114		
150×125 6×5	168.3×133 6.625×5.25	110	120	140	168	133		
150×125 6×5	168.3×139.7 6.625×5.5	110	120	140	168	140		
200×65 8×2½	219.1×76.1 8.625×3	146		174	219	76		
200×80 8×3	219.1×88.9 8.625×3.5	146		174	219	89		
200×100 8×4	219.1×108 8.625×4.25	146		174	219	108		
200×100 8×4	219.1×114.3 8.625×4.5	146		174	219	114		
200×125 8×5	219.1×133 8.625×5.25	146		174	219	133		

Grooved Reducing Tee

Nominal Size mm/in	Pipe O.D mm/in	Dimensions				Working pressure (Psi)
		L (mm)		D	d	
		L SHORT	L1 SHORT (+)	mm	mm	
200×125 8×5	219.1×139.7 8.625×5.5	146	174	219	140	300
200×150 8×6	219.1×159 8.625×6.25	146	174	219	159	
200×150 8×6	219.1×165.1 8.625×6.5	146	174	219	165	
250×80 10×3	273×88.9 10.75×3.5	190		273	89	
250×100 10×4	273×108 10.75×4.25	190		273	108	
250×100 10×4	273×114.3 10.75×4.5	190		273	114	
250×125 10×5	273×133 10.75×5.25	190		273	133	
250×125 10×5	273×139.7 10.75×5.5	190		273	140	
250×125 10×5	273×141.3 10.75×5.563	190		273	141	
250×150 10×6	273×159 10.75×6.25	190		273	159	
250×150 10×6	273×165.1 10.75×6.5	190		273	165	
250×150 10×6	273×168.3 10.75×6.625	190		273	168	
250×200 10×8	273×219.1 10.75×8.625	190		273	219	
300×150 12×6	323.9×159 12.75×6.25	220		325	159	
300×150 12×6	323.9×165.1 12.75×6.5	220		325	165	
300×150 12×6	323.9×168.3 12.75×6.625	220		325	168	
300×200 12×8	323.9×219.1 12.75×8.625	220		325	219	
300×250 12×10	323.9×273 12.75×10.75	220		325	273	

