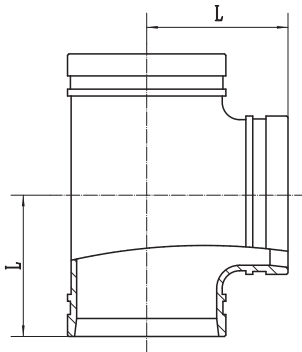


### Grooved Tee Standard



Nominal Size mm/in	Pipe O.D mm/in	Dimensions	Working Pressure (psi)
		L (mm)	
25	33.7	57	300
1	1.327		
32	42.4	70	
1 <sup>1</sup> / <sub>4</sub>	1.669		
40	48.3	70	
1 <sup>1</sup> / <sub>2</sub>	1.9		
50	60.3	84	
2	2.375		
65	73	95	
2 <sup>1</sup> / <sub>2</sub>	2.875		
65	76.1	95	
2 <sup>1</sup> / <sub>2</sub>	3		
80	88.9	108	
3	3.5		
100	114.3	127	
4	4.5		
125	139.7	140	
5	5.5		
125	141.3	140	
5	5.563		
150	159	165	
6	6.25		
150	165.1	165	
6	6.5		
150	168.3	165	
6	6.625		
200	219.1	197	
8	8.625		