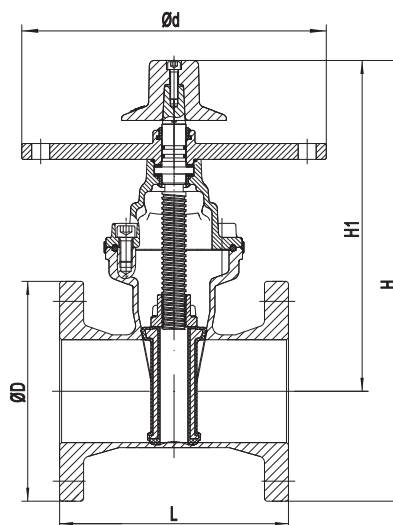


AWWA C515 Resilient seated NRS gate valve-flange end with indicator post flange



| Name of parts | Material |
|-----------------------|-------------------------------------|
| Body | Ductile iron |
| Wedge | Ductile iron+EPDM |
| Stem Nut | Bronze |
| Stem | SS431 or SS304,SS316,bronze |
| Bonnet | Ductile iron |
| Bonnet Gasket | EPDM |
| Sealing Ring | EPDM |
| Indicator Post Flange | Ductile iron |
| Sliding disc | Bronze |
| Screw | Carbon steel with hot galvanization |
| O-rings | EPDM |
| Wrench Nut | Ductile iron |



Technical data >

- Sizes: 2" ~ 12"
- Working pressure: 175PSI, 300PSI
- Valve standard: AWWA C515
- Flange standard: ASME-B16.1 Class125
- Temperature range: 0 ~ 80 °C

| Dimensions | | Pressure rating | Size (mm) | | | | |
|------------|------|-----------------|-----------|-----|-------|-------|-----|
| DN | inch | | psi | ΦD | L | H1 | H |
| 100 | 4 | 175 | 229 | 229 | 332.5 | 449 | 305 |
| | | 300 | | | | | |
| 125 | 5 | 175 | 254 | 254 | 385 | 512 | 305 |
| | | 300 | | | | | |
| 150 | 6 | 175 | 279 | 267 | 432.5 | 572 | 305 |
| | | 300 | | | | | |
| 200 | 8 | 175 | 343 | 292 | 527 | 698.5 | 305 |
| | | 300 | | | | | |
| 250 | 10 | 175 | 406 | 330 | 645 | 848 | 305 |
| | | 300 | | | | | |
| 300 | 12 | 175 | 483 | 356 | 722 | 963.5 | 305 |
| | | 300 | | | | | |