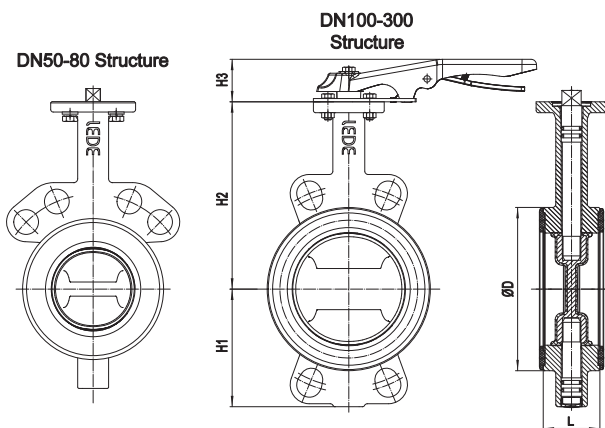


## Butterfly valve with lever handle wafer style

Name of parts	Material
Body	Ductile iron
Plug	EPDM
Driven shaft	1Cr17Ni2 or 2Cr13
Disc	Ductile iron and EPDM
Actuating shaft	1Cr17Ni2 or 2Cr13
Bearing bush	Bronze
O-rings	EPDM
Lever handle	Ductile iron and steel



### Technical data >

- Sizes: DN50~DN300
- Working pressure: PN16/PN25
- Valve standard: EN593
- Flange standard: ASME-B16.1 Class125 and EN1092-2
- Top Flange standard: EN ISO 5211
- Temperature range: 0 ~ 80 °C

Dimensions		Pressure rating PN	Size (mm)					
DN	inch		ΦD	L	H1	H2	H3	Top Flange
50	2	10/16/25	91	43	70	125	39	F05
65	2.5	10/16/25	108	46	76	143.5	39	F05
80	3	10/16/25	124	46	94	151	39	F05
100	4	10/16/25	150	52	108	172	39	F07
125	5	10/16/25	178	56	127	190	39	F07
150	6	10/16/25	205	56	139	202	39	F07
200	8	10/16/25	260	60	175	235	39	F07