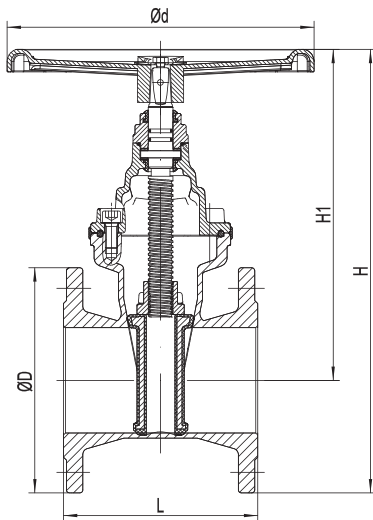


DIN F4 Resilient seated NRS gate valve-flange end

Name of parts	Material
Body	Ductile iron
Wedge	Ductile iron+EPDM
Stem nut	Bronze
Stem	SS431 or SS304, SS316, bronze
Bonnet	Ductile iron
Bonnet Gasket	EPDM
Sealing Ring	EPDM
Upper cover	Ductile iron
Sliding disc	Bronze
Screw	Carbon steel with hot galvanization
O-rings	EPDM
Handwheel	Ductile iron



Technical data >

- Sizes: DN50~DN300
- Working pressure: PN16/PN25
- Valve standard: EN1171
- Flange standard: EN1092-2
- Temperature range: 0 ~ 80 °C

Dimensions		Pressure rating	Size (mm)				
DN	inch	PN	ΦD	L	H1	H	Φd
50	2	16	165	150	256	338.5	203
		25					
65	2.5	16	185	170	256	348.5	203
		25					
80	3	16	200	180	273.5	373.5	203
		25					
100	4	16	220	190	323.5	433.5	300
		25	235			441	
125	5	16	250	200	376	501	300
		25	270			511	
150	6	16	285	210	423.5	566	300
		25	300			573.5	
200	8	16	340	230	530.5	700.5	406
		25	360			710.5	
250	10	16	400	250	645	845	406
		25	425			857.5	
300	12	16	455	270	725.5	953	406
		25	485			953	