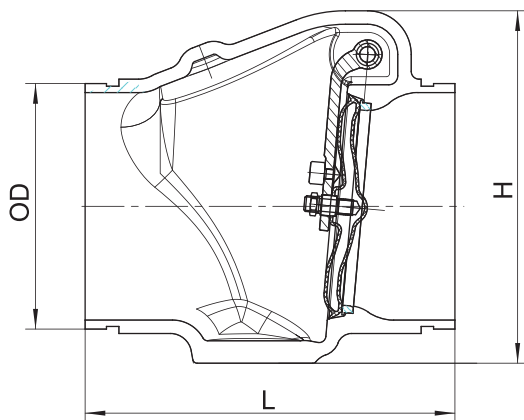


## Swing check valve with grooved end

Name of parts	Material
Body	Ductile iron
Seat Ring	Bronze
Disc Sealing Ring	EPDM
Disc Plate	SS304
Disc	Ductile iron
Clapper Arm	Ductile iron
Bonnet Gasket	EPDM
Bonnet	Ductile iron
Hinge Pin	SS304
Hinge Bushing	Bronze
Hinge Plug	SS304



**Technical data** >

- Sizes: 2"~12"
- Working pressure: 362psi
- Grooved standard: AWWA C606
- Temperature range: 0 ~ 80 °C

Dimensions		Pressure rating	Size (mm)		
DN	inch		psi	OD	L
50	2	362	60.3	167	122.5
65	2.5	362	73	180	136.5
			76.1		
80	3	362	88.9	198	165.5
100	4	362	114.3	229	193.6
125	5	362	139.7	254	235.5
			141.3		
150	6	362	165.1	272	252
			168.3		
200	8	362	219.1	330	314.5