

## VALVES



Valves for Fire Protection

# CONTENT



DIN F4 Resilient seated NRS gate valve-flange end >

01



BS5163 Resilient seated NRS gate valve-flange end >

02



AWWA C515 Resilient seated NRS gate valve-flange end >

03



AWWA C515 Resilient seated NRS gate valve-flange end with indicator post flange >

04



Resilient seated NRS gate valve grooved end >

05



DIN F4 Resilient seated OS&Y gate valve-flange end >

06



BS5163 Resilient seated OS&Y gate valve-flange end >

07



AWWA C515 Resilient seated OS&Y gate valve-flange end >

08



Resilient seated OS&Y gate valve-grooved end >

09



Butterfly valve with tamper switch wafer style >

10



Butterfly valve with lever handle wafer style >

11



Butterfly valve with tamper switch grooved end >

12



Butterfly valve with lever handle grooved end >

13



Swing check valve with flange end >

14



Swing check valve with grooved end >

15



Y strainer with flange end >

16



Y strainer with grooved end >

17

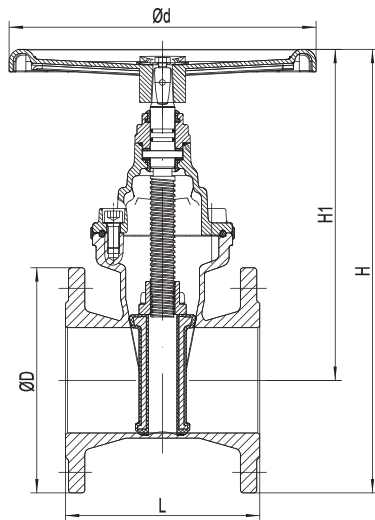


Deluge Valve >

18

## DIN F4 Resilient seated NRS gate valve-flange end

Name of parts	Material
Body	Ductile iron
Wedge	Ductile iron+EPDM
Stem nut	Bronze
Stem	SS431 or SS304, SS316, bronze
Bonnet	Ductile iron
Bonnet Gasket	EPDM
Sealing Ring	EPDM
Upper cover	Ductile iron
Sliding disc	Bronze
Screw	Carbon steel with hot galvanization
O-rings	EPDM
Handwheel	Ductile iron



**Technical data** >

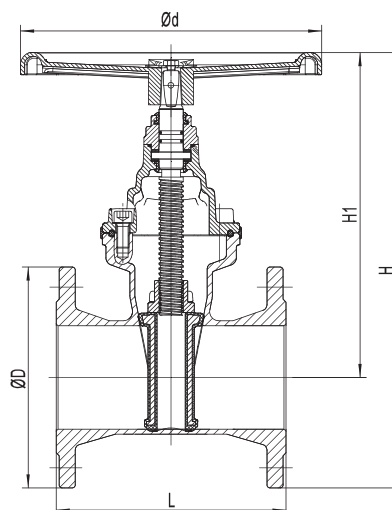
- Sizes: DN50~DN300
- Working pressure: PN16/PN25
- Valve standard: EN1171
- Flange standard: EN1092-2
- Temperature range: 0 ~ 80 °C

Dimensions		Pressure rating	Size (mm)				
DN	inch	PN	ΦD	L	H1	H	Φd
50	2	16	165	150	256	338.5	203
		25					
65	2.5	16	185	170	256	348.5	203
		25					
80	3	16	200	180	273.5	373.5	203
		25					
100	4	16	220	190	323.5	433.5	300
		25	235			441	
		16	250			501	
125	5	25	270	200	376	511	300
		16	285			566	
150	6	25	300	210	423.5	573.5	300
		16	340			700.5	
200	8	25	360	230	530.5	710.5	406
		16	400			845	
250	10	25	425	250	645	857.5	406
		16	455			953	
300	12	25	485	270	725.5	953	406
		16	455			953	

## BS5163 Resilient seated NRS gate valve-flange end



Name of parts	Material
Body	Ductile iron
Wedge	Ductile iron+EPDM
Stem nut	Bronze
Stem	SS431 or SS304, SS316, bronze
Bonnet	Ductile iron
Bonnet Gasket	EPDM
Sealing Ring	EPDM
Upper cover	Ductile iron
Sliding disc	Bronze
Screw	Carbon steel with hot galvanization
O-rings	EPDM
Handwheel	Ductile iron



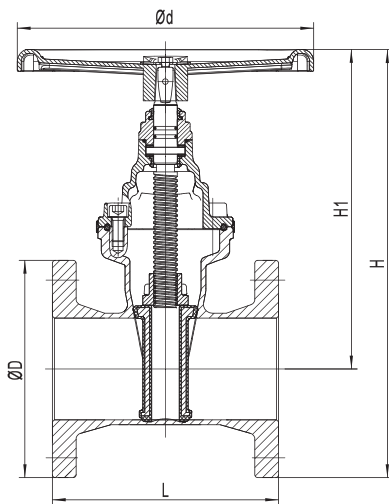
### Technical data >

- Sizes: DN50~DN300
- Working pressure: PN16/PN25
- Valve standard: BS5163
- Flange standard: EN1092-2
- Temperature range: 0 ~ 80 °C

Dimensions		Pressure rating	Size (mm)																																																																																										
DN	inch	PN	ΦD	L	H1	H	Φd																																																																																						
50	2	16	165	178	256	338.5	203																																																																																						
		25		216				65	2.5	16	185	190	256	348.5	203	25	241	80	3	16	200	203	273.5	373.5	203	25	283	100	4	16	220	229	323.5	433.5	300	25	235	305	441	125	5	16	250	254	376	501	300	25	270	381	511	150	6	16	285	267	423.5	566	300	25	300	403	573.5	200	8	16	340	292	530.5	700.5	406	25	360	419	710.5	250	10	16	400	330	645	845	406	25	425	457	857.5	300	12	16	455	356	725.5
65	2.5	16	185	190	256	348.5	203																																																																																						
		25		241				80	3	16	200	203	273.5	373.5	203	25	283	100	4	16	220	229	323.5	433.5	300	25	235	305	441	125	5	16	250	254	376	501	300	25	270	381	511	150	6	16	285	267	423.5	566	300	25	300	403	573.5	200	8	16	340	292	530.5	700.5	406	25	360	419	710.5	250	10	16	400	330	645	845	406	25	425	457	857.5	300	12	16	455	356	725.5	953	406	25	485	502	953				
80	3	16	200	203	273.5	373.5	203																																																																																						
		25		283				100	4	16	220	229	323.5	433.5	300	25	235	305	441	125	5	16	250	254	376	501	300	25	270	381	511	150	6	16	285	267	423.5	566	300	25	300	403	573.5	200	8	16	340	292	530.5	700.5	406	25	360	419	710.5	250	10	16	400	330	645	845	406	25	425	457	857.5	300	12	16	455	356	725.5	953	406	25	485	502	953														
100	4	16	220	229	323.5	433.5	300																																																																																						
		25	235	305		441		125	5	16	250	254	376	501	300	25	270	381	511	150	6	16	285	267	423.5	566	300	25	300	403	573.5	200	8	16	340	292	530.5	700.5	406	25	360	419	710.5	250	10	16	400	330	645	845	406	25	425	457	857.5	300	12	16	455	356	725.5	953	406	25	485	502	953																										
125	5	16	250	254	376	501	300																																																																																						
		25	270	381		511		150	6	16	285	267	423.5	566	300	25	300	403	573.5	200	8	16	340	292	530.5	700.5	406	25	360	419	710.5	250	10	16	400	330	645	845	406	25	425	457	857.5	300	12	16	455	356	725.5	953	406	25	485	502	953																																						
150	6	16	285	267	423.5	566	300																																																																																						
		25	300	403		573.5		200	8	16	340	292	530.5	700.5	406	25	360	419	710.5	250	10	16	400	330	645	845	406	25	425	457	857.5	300	12	16	455	356	725.5	953	406	25	485	502	953																																																		
200	8	16	340	292	530.5	700.5	406																																																																																						
		25	360	419		710.5		250	10	16	400	330	645	845	406	25	425	457	857.5	300	12	16	455	356	725.5	953	406	25	485	502	953																																																														
250	10	16	400	330	645	845	406																																																																																						
		25	425	457		857.5		300	12	16	455	356	725.5	953	406	25	485	502	953																																																																										
300	12	16	455	356	725.5	953	406																																																																																						
		25	485	502		953																																																																																							

## AWWA C515 Resilient seated NRS gate valve-flange end

Name of parts	Material
Body	Ductile iron
Wedge	Ductile iron+EPDM
Stem nut	Bronze
Stem	SS431 or SS304,SS316,bronze
Bonnet	Ductile iron
Bonnet Gasket	EPDM
Sealing Ring	EPDM
Upper cover	Ductile iron
Sliding disc	Bronze
Screw	Carbon steel with hot galvanization
O-rings	EPDM
Handwheel	Ductile iron



**Technical data** >

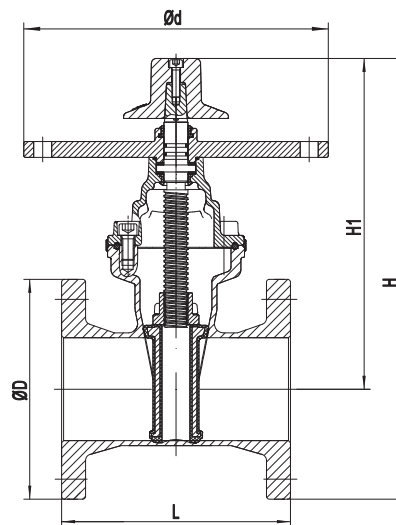
- Sizes: 2" ~ 12"
- Working pressure: 175PSI, 300PSI
- Valve standard: AWWA C515
- Flange standard: ASME-B16.1 Class125
- Temperature range: 0 ~ 80 °C

Dimensions		Pressure rating	Size (mm)				
DN	inch		psi	ΦD	L	H1	H
50	2	175	152	178	256	332	203
		300					
65	2.5	175	178	190	256	345	203
		300					
80	3	175	191	203	273.5	369	203
		300					
100	4	175	229	229	323.5	438	300
		300					
125	5	175	254	254	376	503	300
		300					
150	6	175	279	267	423.5	563	300
		300					
200	8	175	343	292	530.5	702	406
		300					
250	10	175	406	330	645	848	406
		300					
300	12	175	483	356	725.5	967	406
		300					

## AWWA C515 Resilient seated NRS gate valve-flange end with indicator post flange



Name of parts	Material
Body	Ductile iron
Wedge	Ductile iron+EPDM
Stem Nut	Bronze
Stem	SS431 or SS304,SS316,bronze
Bonnet	Ductile iron
Bonnet Gasket	EPDM
Sealing Ring	EPDM
Indicator Post Flange	Ductile iron
Sliding disc	Bronze
Screw	Carbon steel with hot galvanization
O-rings	EPDM
Wrench Nut	Ductile iron



04

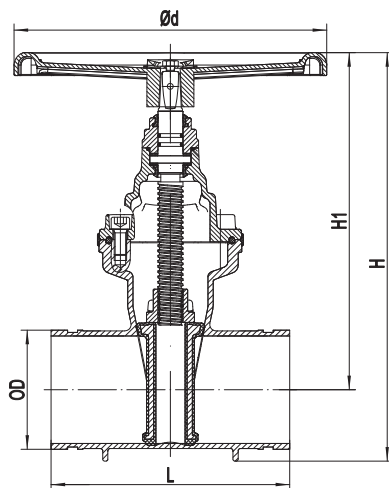
### Technical data >

- Sizes: 2" ~ 12"
- Working pressure: 175PSI, 300PSI
- Valve standard: AWWA C515
- Flange standard: ASME-B16.1 Class125
- Temperature range: 0 ~ 80 °C

Dimensions		Pressure rating	Size (mm)				
DN	inch		psi	ΦD	L	H1	H
100	4	175	229	229	332.5	449	305
		300					
125	5	175	254	254	385	512	305
		300					
150	6	175	279	267	432.5	572	305
		300					
200	8	175	343	292	527	698.5	305
		300					
250	10	175	406	330	645	848	305
		300					
300	12	175	483	356	722	963.5	305
		300					

## Resilient seated NRS gate valve grooved end

Name of parts	Material
Body	Ductile iron
Wedge	Ductile iron+EPDM
Stem nut	Bronze
Stem	SS431 or SS304, SS316, bronze
Bonnet	Ductile iron
Bonnet Gasket	EPDM
Sealing Ring	EPDM
Upper cover	Ductile iron
Sliding disc	Bronze
Screw	Carbon steel with hot galvanization
O-rings	EPDM
Handwheel	Ductile iron



### Technical data >

- Sizes: DN50/60~DN200/219
- Working pressure: PN25, 362PSI
- Valve standard: AWWA C515
- Grooved standard: AWWA C606
- Temperature range: 0 ~ 80 °C

Dimensions		Pressure rating	Size (mm)				
DN	inch	psi	$\Phi D$	L	H1	H	$\Phi d$
50	2	362	60.3	178	256	301	203
65	2.5	362	73	190	256	307.5	203
			76.1			309	
80	3	362	88.9	203	273.5	333	203
100	4	362	114.3	229	323.5	396	300
125	5	362	139.7	254	376	461	300
			141.3			462	
150	6	362	165.1	267	423.5	521	300
			168.3			523	
200	8	362	219.1	292	530.5	660	406

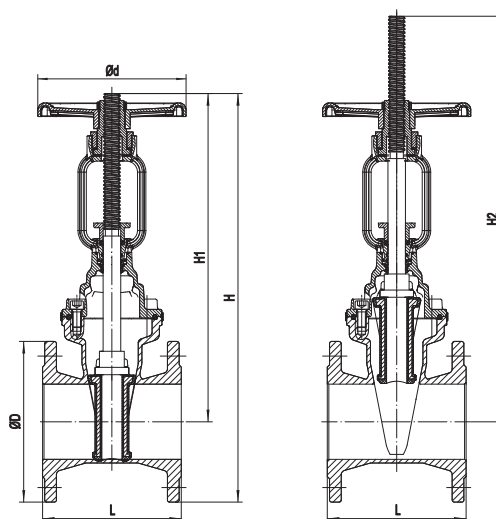
## DIN F4 Resilient seated OS&Y gate valve-flange end



Name of parts	Material
Body	Ductile iron
Wedge	Ductile iron+EPDM
Stem nut	Bronze
Stem	SS431 or SS304, SS316, bronze
Bonnet	Ductile iron
Bonnet Gasket	EPDM
Sealing Ring	EPDM
Yoke	Ductile iron
Sliding disc	Bronze
Screw	Carbon steel with hot galvanization
O-rings	EPDM
Handwheel	Ductile iron

### Technical data >

- Sizes: DN50~DN300
- Working pressure: PN16/PN25
- Valve standard: EN1171
- Flange standard: EN1092-2
- Temperature range: 0 ~ 80 °C

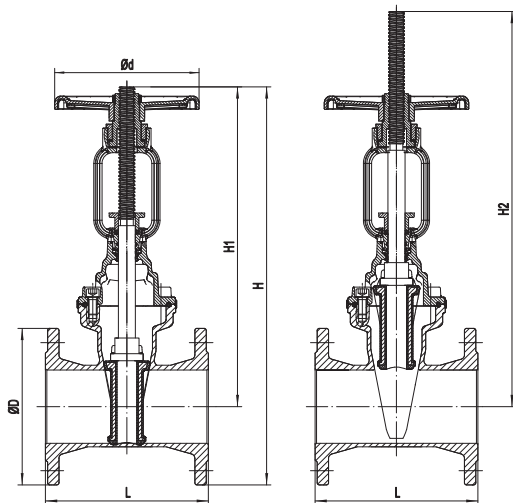


Dimensions		Pressure rating	Size (mm)					
DN	inch	PN	ΦD	L	H1	H2	H	Φd
50	2	16	165	150	358.5	420.5	441	203
		25						
65	2.5	16	185	170	359.5	429.5	452	203
		25						
80	3	16	200	180	378	462	478	203
		25						
100	4	16	220	190	449.5	553	559.5	203
		25	235				567	
125	5	16	250	200	549.5	677	674.5	300
		25	270				684.5	
150	6	16	285	210	591.5	747	734	300
		25	300				741.5	
200	8	16	340	230	735.5	938	905.5	330
		25	360				915.5	
250	10	16	400	250	900.5	1161	1100.5	406
		25	425				1113	
300	12	16	455	270	1045.5	1353	1273	406
		25	485				1288	



## BS5163 Resilient seated OS&Y gate valve-flange end

Name of parts	Material
Body	Ductile iron
Wedge	Ductile iron+EPDM
Stem nut	Bronze
Stem	SS431 or SS304, SS316, bronze
Bonnet	Ductile iron
Bonnet Gasket	EPDM
Sealing Ring	EPDM
Yoke	Ductile iron
Sliding disc	Bronze
Screw	Carbon steel with hot galvanization
O-rings	EPDM
Handwheel	Ductile iron



**Technical data** >

- Sizes: DN50~DN300
- Working pressure: PN16/PN25
- Valve standard: BS5163
- Flange standard: EN1092-2
- Temperature range: 0 ~ 80 C

Dimensions		Pressure rating	Size (mm)																																																																																																		
DN	inch	PN	ΦD	L	H1	H2	H	Φd																																																																																													
50	2	16	165	178	358.5	420.5	441	203																																																																																													
		25		216					65	2.5	16	185	190	359.5	429.5	452	203	25	241	80	3	16	200	203	378	462	478	203	25	283	100	4	16	220	229	449.5	553	559.5	203	25	235	305	567	125	5	16	250	254	549.5	677	674.5	300	25	270	381	684.5	150	6	16	285	267	591.5	747	734	300	25	300	403	741.5	200	8	16	340	292	735.5	938	905.5	330	25	360	419	915.5	250	10	16	400	330	900.5	1161	1100.5	406	25	425	457	1113	300	12	16	455	356	1045.5
65	2.5	16	185	190	359.5	429.5	452	203																																																																																													
		25		241					80	3	16	200	203	378	462	478	203	25	283	100	4	16	220	229	449.5	553	559.5	203	25	235	305	567	125	5	16	250	254	549.5	677	674.5	300	25	270	381	684.5	150	6	16	285	267	591.5	747	734	300	25	300	403	741.5	200	8	16	340	292	735.5	938	905.5	330	25	360	419	915.5	250	10	16	400	330	900.5	1161	1100.5	406	25	425	457	1113	300	12	16	455	356	1045.5	1353	1273	406	25	485	502	1288				
80	3	16	200	203	378	462	478	203																																																																																													
		25		283					100	4	16	220	229	449.5	553	559.5	203	25	235	305	567	125	5	16	250	254	549.5	677	674.5	300	25	270	381	684.5	150	6	16	285	267	591.5	747	734	300	25	300	403	741.5	200	8	16	340	292	735.5	938	905.5	330	25	360	419	915.5	250	10	16	400	330	900.5	1161	1100.5	406	25	425	457	1113	300	12	16	455	356	1045.5	1353	1273	406	25	485	502	1288															
100	4	16	220	229	449.5	553	559.5	203																																																																																													
		25	235	305			567		125	5	16	250	254	549.5	677	674.5	300	25	270	381	684.5	150	6	16	285	267	591.5	747	734	300	25	300	403	741.5	200	8	16	340	292	735.5	938	905.5	330	25	360	419	915.5	250	10	16	400	330	900.5	1161	1100.5	406	25	425	457	1113	300	12	16	455	356	1045.5	1353	1273	406	25	485	502	1288																												
125	5	16	250	254	549.5	677	674.5	300																																																																																													
		25	270	381			684.5		150	6	16	285	267	591.5	747	734	300	25	300	403	741.5	200	8	16	340	292	735.5	938	905.5	330	25	360	419	915.5	250	10	16	400	330	900.5	1161	1100.5	406	25	425	457	1113	300	12	16	455	356	1045.5	1353	1273	406	25	485	502	1288																																									
150	6	16	285	267	591.5	747	734	300																																																																																													
		25	300	403			741.5		200	8	16	340	292	735.5	938	905.5	330	25	360	419	915.5	250	10	16	400	330	900.5	1161	1100.5	406	25	425	457	1113	300	12	16	455	356	1045.5	1353	1273	406	25	485	502	1288																																																						
200	8	16	340	292	735.5	938	905.5	330																																																																																													
		25	360	419			915.5		250	10	16	400	330	900.5	1161	1100.5	406	25	425	457	1113	300	12	16	455	356	1045.5	1353	1273	406	25	485	502	1288																																																																			
250	10	16	400	330	900.5	1161	1100.5	406																																																																																													
		25	425	457			1113		300	12	16	455	356	1045.5	1353	1273	406	25	485	502	1288																																																																																
300	12	16	455	356	1045.5	1353	1273	406																																																																																													
		25	485	502			1288																																																																																														

## AWWA C515 Resilient seated OS&Y gate valve-flange end

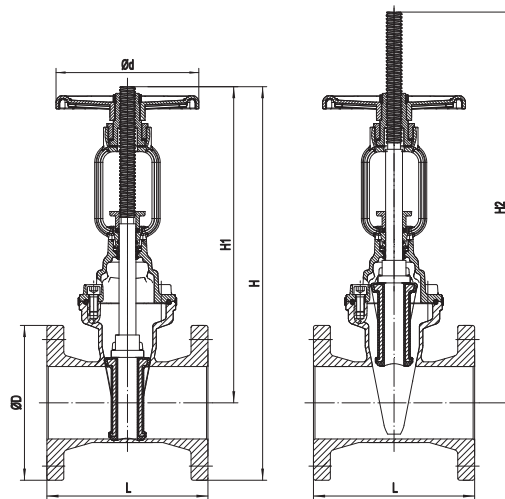


Name of parts	Material
Body	Ductile iron
Wedge	Ductile iron+EPDM
Stem nut	Bronze
Stem	SS431 or SS304, SS316, bronze
Bonnet	Ductile iron
Bonnet Gasket	EPDM
Sealing Ring	EPDM
Yoke	Ductile iron
Sliding disc	Bronze
Screw	Carbon steel with hot galvanization
O-rings	EPDM
Handwheel	Ductile iron

08

### Technical data >

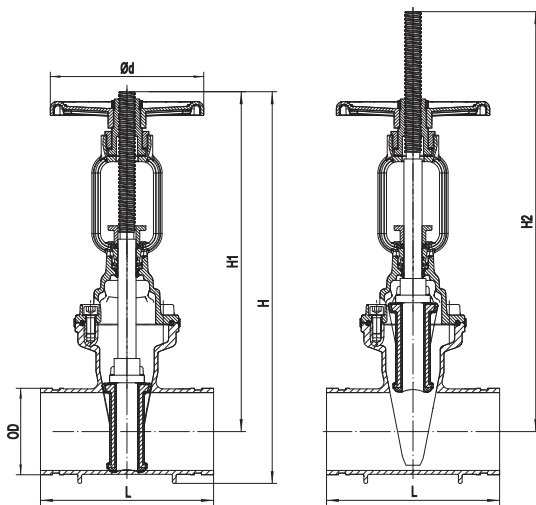
- Sizes: 2" ~ 12"
- Working pressure: 175PSI, 300PSI
- Valve standard: AWWA C515
- Flange standard: ASME-B16.1 Class125
- Temperature range: 0 ~ 80 C



Dimensions		Pressure rating	Size (mm)					
DN	inch	psi	ΦD	L	H1	H2	H	Φd
50	2	175	152	178	358.5	420.5	434.5	203
		300						
65	2.5	175	178	190	359.5	429.5	448.5	203
		300						
80	3	175	191	203	378	462	473.5	203
		300						
100	4	175	229	229	449.5	553	564	203
		300						
125	5	175	254	254	549.5	677	676.5	300
		300						
150	6	175	279	267	591.5	747	731	300
		300						
200	8	175	343	292	735.5	938	907	330
		300						
250	10	175	406	330	900.5	1161	1103.5	406
		300						
300	12	175	483	356	1045.5	1353	1287	406
		300						

## Resilient seated OS&Y gate valve-grooved end

Name of parts	Material
Body	Ductile iron
Wedge	Ductile iron+EPDM
Stem nut	Bronze
Stem	SS431 or SS304, SS316, bronze
Bonnet	Ductile iron
Bonnet Gasket	EPDM
Sealing Ring	EPDM
Yoke	Ductile iron
Sliding disc	Bronze
Screw	Carbon steel with hot galvanization
O-rings	EPDM
Handwheel	Ductile iron



### Technical data >

- Sizes: DN50/60~DN200/219
- Working pressure: PN25, 362PSI
- Valve standard: AWWA C515
- Grooved standard: AWWA C606
- Temperature range: 0 ~ 80 °C

Dimensions		Pressure rating	Size (mm)					
DN	inch	psi	OD	L	H1	H2	H	Φd
50	2	362	60.3	178	358.5	420.5	403.5	203
65	2.5	362	73	190	359.5	429.5	411	203
			76.1					
80	3	362	88.9	203	378	462	437.5	203
100	4	362	114.3	229	449.5	553	518.5	203
125	5	362	139.7	254	549.5	677	631	300
			141.3					
150	6	362	165.1	267	591.5	747	686	300
			168.3					
200	8	362	219.1	292	735.5	938	865	330

## Butterfly valve with tamper switch wafer style

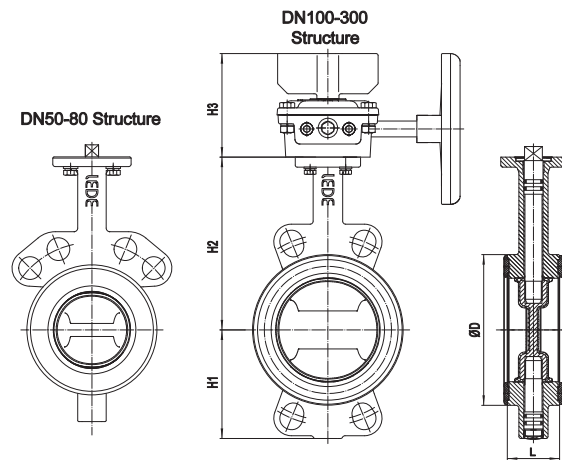


Name of parts	Material
Body	Ductile iron
Plug	EPDM
Driven shaft	1Cr17Ni2
Disc	Ductile iron and EPDM
Actuating shaft	1Cr17Ni2
Bearing bush	Bronze
O-rings	EPDM
Gear operator	Ductile iron and steel

10

### Technical data >

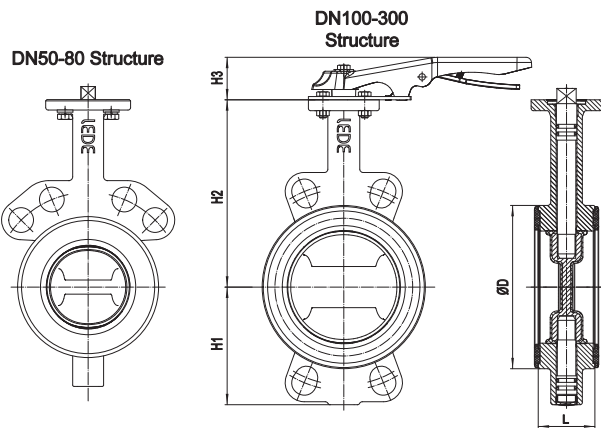
- Sizes: DN50~DN300
- Working pressure: PN16/PN25
- Valve standard: EN593
- Flange standard: ASME-B16.1 Class125 and EN1092-2
- Top Flange standard: EN ISO 5211
- Temperature range: 0 ~ 80 C



Dimensions		Pressure rating	Size (mm)					
DN	inch		psi	ΦD	L	H1	H2	H3
50	2	362	91	43	70	125	H3	F05
65	2.5	362	108	46	76	143.5	103	F05
80	3	362	124	46	94	151	103	F05
100	4	362	150	52	108	172	103	F07
125	5	362	178	56	127	190	103	F07
150	6	362	205	56	139	202	103	F07
200	8	232	260	60	175	235	103	F07
250	10	232	313	68	210	265	109	F10
300	12	232	364	78	238	285	109	F10

## Butterfly valve with lever handle wafer style

Name of parts	Material
Body	Ductile iron
Plug	EPDM
Driven shaft	1Cr17Ni2 or 2Cr13
Disc	Ductile iron and EPDM
Actuating shaft	1Cr17Ni2 or 2Cr13
Bearing bush	Bronze
O-rings	EPDM
Lever handle	Ductile iron and steel



**Technical data >**

- Sizes: DN50~DN300
- Working pressure: PN16/PN25
- Valve standard: EN593
- Flange standard: ASME-B16.1 Class125 and EN1092-2
- Top Flange standard: EN ISO 5211
- Temperature range: 0 ~ 80 °C

Dimensions		Pressure rating PN	Size (mm)					
DN	inch		ΦD	L	H1	H2	H3	Top Flange
50	2	10/16/25	91	43	70	125	39	F05
65	2.5	10/16/25	108	46	76	143.5	39	F05
80	3	10/16/25	124	46	94	151	39	F05
100	4	10/16/25	150	52	108	172	39	F07
125	5	10/16/25	178	56	127	190	39	F07
150	6	10/16/25	205	56	139	202	39	F07
200	8	10/16/25	260	60	175	235	39	F07

## Butterfly valve with tamper switch grooved end

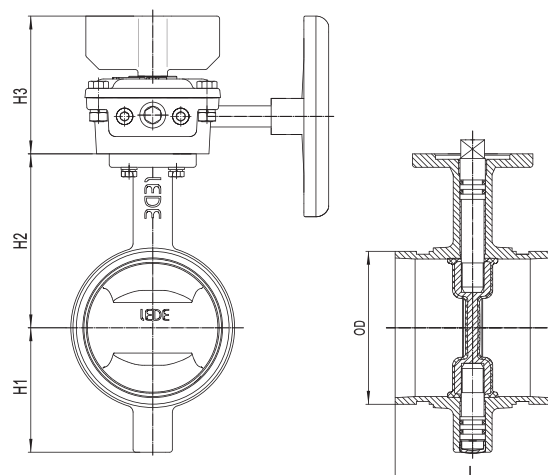


Name of parts	Material
Body	Ductile iron
Plug	EPDM
Driven shaft	1Cr17Ni2
Disc	Ductile iron and EPDM
Actuating shaft	1Cr17Ni2
Bearing bush	Bronze
O-rings	EPDM
Gear operator	Ductile iron and steel

12

### Technical data >

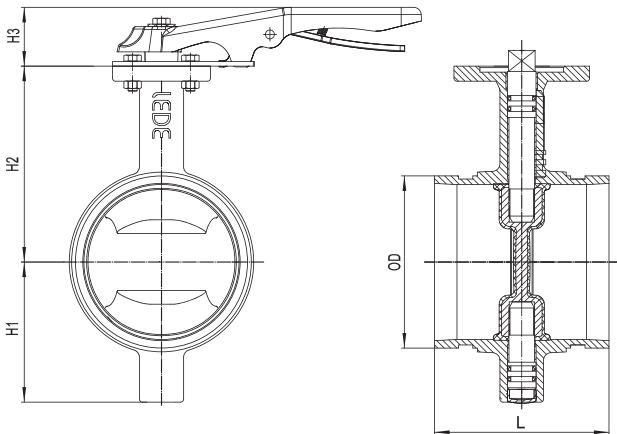
- Sizes: 60.3~219.1
- Working pressure: 60.3~168.3 362 psi, 219.1 232psi
- Valve standard: MSS SP-67
- Grooved standard: AWWA C606
- Top Flange standard: EN ISO 5211
- Temperature range: 0 ~ 80 °C



Dimensions		Pressure rating	Size (mm)					
DN	inch		psi	OD	L	H1	H2	H3
50	2	362	60.3	81	56	91	103	F05
65	2.5		73		96.8	68	104	103
		76.1						
80	3	362	88.9	96.8	75	111	103	F07
100	4	362	114.3	115.8	93	130	103	F07
125	5	362	139.7	147.6	111	153	103	F07
			141.3		111	153		
150	6	362	165.1	147.6	123	165	103	F07
			168.3		123	165		
200	8	362	219.1	133.4	160	194	109	F07

## Butterfly valve with lever handle grooved end

Name of parts	Material
Body	Ductile iron
Plug	EPDM
Driven shaft	1Cr17Ni2
Disc	Ductile iron and EPDM
Actuating shaft	1Cr17Ni2
Bearing bush	Bronze
O-rings	EPDM
Gear operator	Ductile iron and steel



**Technical data** >

- Sizes: 60.3~219.1
- Working pressure: 60.3~168.3 362 psi, 219.1 232psi
- Valve standard: MSS SP-67
- Grooved standard: AWWA C606
- Top Flange standard: EN ISO 5211
- Temperature range: 0 ~ 80 °C

Dimensions		Pressure rating psi	Size (mm)					
DN	inch		OD	L	H1	H2	H3	Top Flange
50	2	362	60.3	81	56	91	39	F05
65	2.5		73		96.8	68		
		76.1						
80	3	362	88.9	96.8	75	111	39	F07
100	4	362	114.3	115.8	93	130	39	F07
125	5	362	139.7	147.6	111	153	39	F07
			141.3		111	153		
150	6	362	165.1	147.6	123	165	39	F07
			168.3		123	165		
200	8	362	219.1	133.4	160	194	39	F07

## Swing check valve with flange end

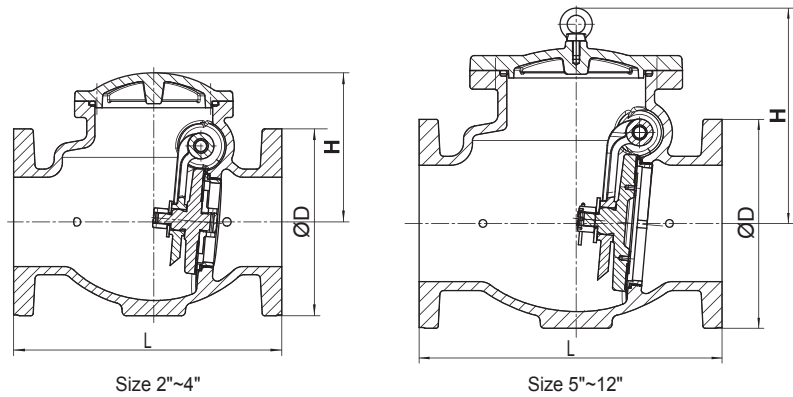


Name of parts	Material
Body	Ductile iron
Seat Ring	Bronze
Disc Sealing Ring	EPDM
Disc Plate	SS304
Disc	Ductile iron
Clapper Arm	Ductile iron
Bonnet Gasket	EPDM
Bonnet	Ductile iron
Hinge Pin	SS304
Hinge Bushing	Bronze
Hinge Plug	SS304

14

### Technical data >

- Sizes: 2"~12"
- Working pressure: 300psi
- Valve standard: AWWA C508
- Flange standard: ASME-B16.1 Class125
- Temperature range: 0 ~ 80 C

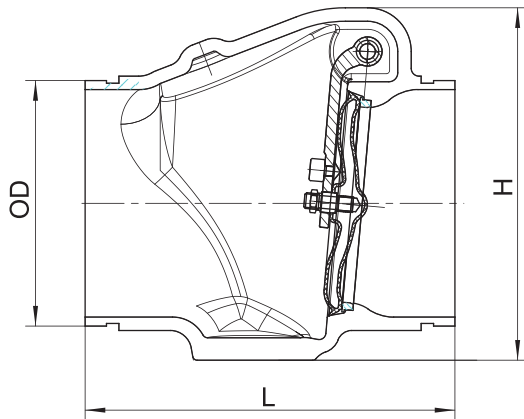


Dimensions		Pressure rating psi	Size (mm)		
DN	inch		ΦD	L	H
50	2	300	152	203	125
65	2.5	300	178	254	139
80	3	300	191	279	153
100	4	300	229	330	184
125	5	300	254	356	275
150	6	300	279	406	289
200	8	300	343	495	352
250	10	300	406	559	411
300	12	300	483	660	480



## Swing check valve with grooved end

Name of parts	Material
Body	Ductile iron
Seat Ring	Bronze
Disc Sealing Ring	EPDM
Disc Plate	SS304
Disc	Ductile iron
Clapper Arm	Ductile iron
Bonnet Gasket	EPDM
Bonnet	Ductile iron
Hinge Pin	SS304
Hinge Bushing	Bronze
Hinge Plug	SS304



**Technical data** >

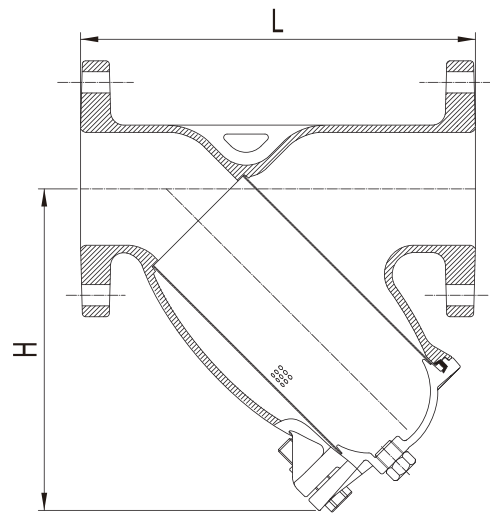
- Sizes: 2"~12"
- Working pressure: 362psi
- Grooved standard: AWWA C606
- Temperature range: 0 ~ 80 °C

Dimensions		Pressure rating	Size (mm)		
DN	inch		psi	OD	L
50	2	362	60.3	167	122.5
65	2.5	362	73	180	136.5
			76.1		
80	3	362	88.9	198	165.5
100	4	362	114.3	229	193.6
125	5	362	139.7	254	235.5
			141.3		
150	6	362	165.1	272	252
			168.3		
200	8	362	219.1	330	314.5

## Y strainer with flange end



Name of parts	Material
Body	Ductile iron
Cover	Ductile iron
Gasket	EPDM
Screen	SS304
Plug	Bronze



**Technical data** >

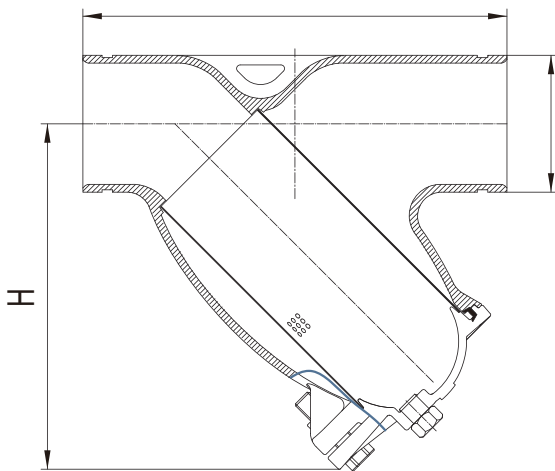
- Sizes: 2"~12"
- Working pressure: 300psi
- Flange standard: ASME-B16.1 Class125
- Temperature range: 0 ~ 80 °C

Dimensions		Pressure rating psi	Size (mm)		
DN	inch		ΦD	L	H
50	2	300	152	230	154
65	2.5	300	178	290	201
80	3	300	191	310	210
100	4	300	229	350	269
125	5	300	254	400	320
150	6	300	279	480	357
200	8	300	343	550	442
250	10	300	406	650	525
300	12	300	483	750	620

## Y strainer with grooved end



Name of parts	Material
Body	Ductile iron
Cover	Ductile iron
Gasket	EPDM
Screen	SS304
Plug	Bronze



**Technical data** >

- Sizes: 2"~8"
- Working pressure: 362psi
- Grooved standard: AWWA C606
- Temperature range: 0 ~ 80 °C

Dimensions		Pressure rating	Size (mm)		
DN	inch		psi	OD	L
50	2	362	60.3	230	154
65	2.5		73		
		76.1	290	201	
80	3	362			88.9
100	4	362	114.3	350	269
125	5	362	139.7	400	320
			141.3		
150	6	362	165.1	480	357
			168.3		
200	8	362	219.1	550	442

# Deluge Valve

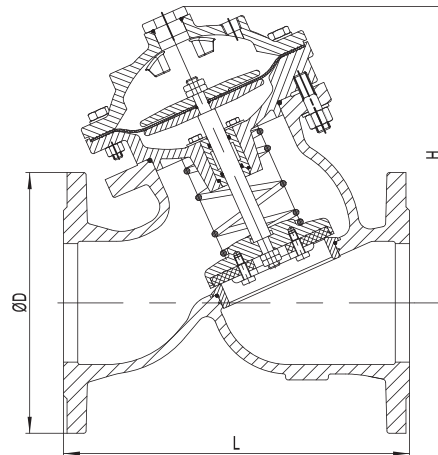


18

Name of parts	Material
Body	Ductile iron
Seat Ring	SS304
Gland of Main Disc	SS304
Main Gasket	EPDM
Main Disc	SS304
Spring	SS420J2
Stem	SS304
Middle Bonnet	Ductile iron
Bushing	Bronze
Bottom Gland	SS304
Diaphragm	EPDM
Up Gland	SS304
Up Bonnet	Ductile iron
Cap Plug	SS304
Bolt	SS304

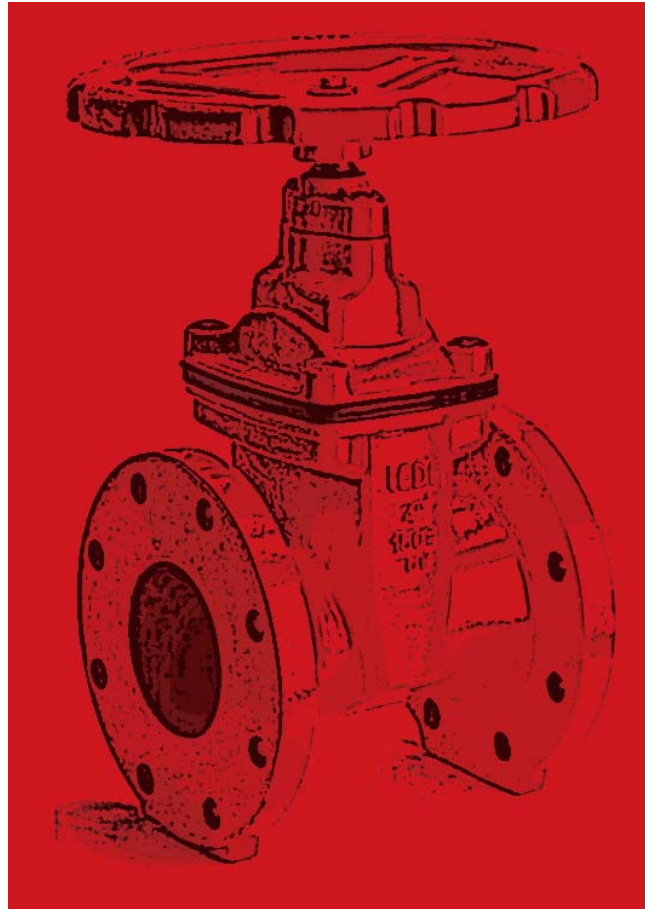
**Technical data** >

- Sizes: 2"~12"
- Working pressure: 300psi
- Flange standard: ASME-B16.1 Class125
- Temperature range: 0 ~ 80 °C

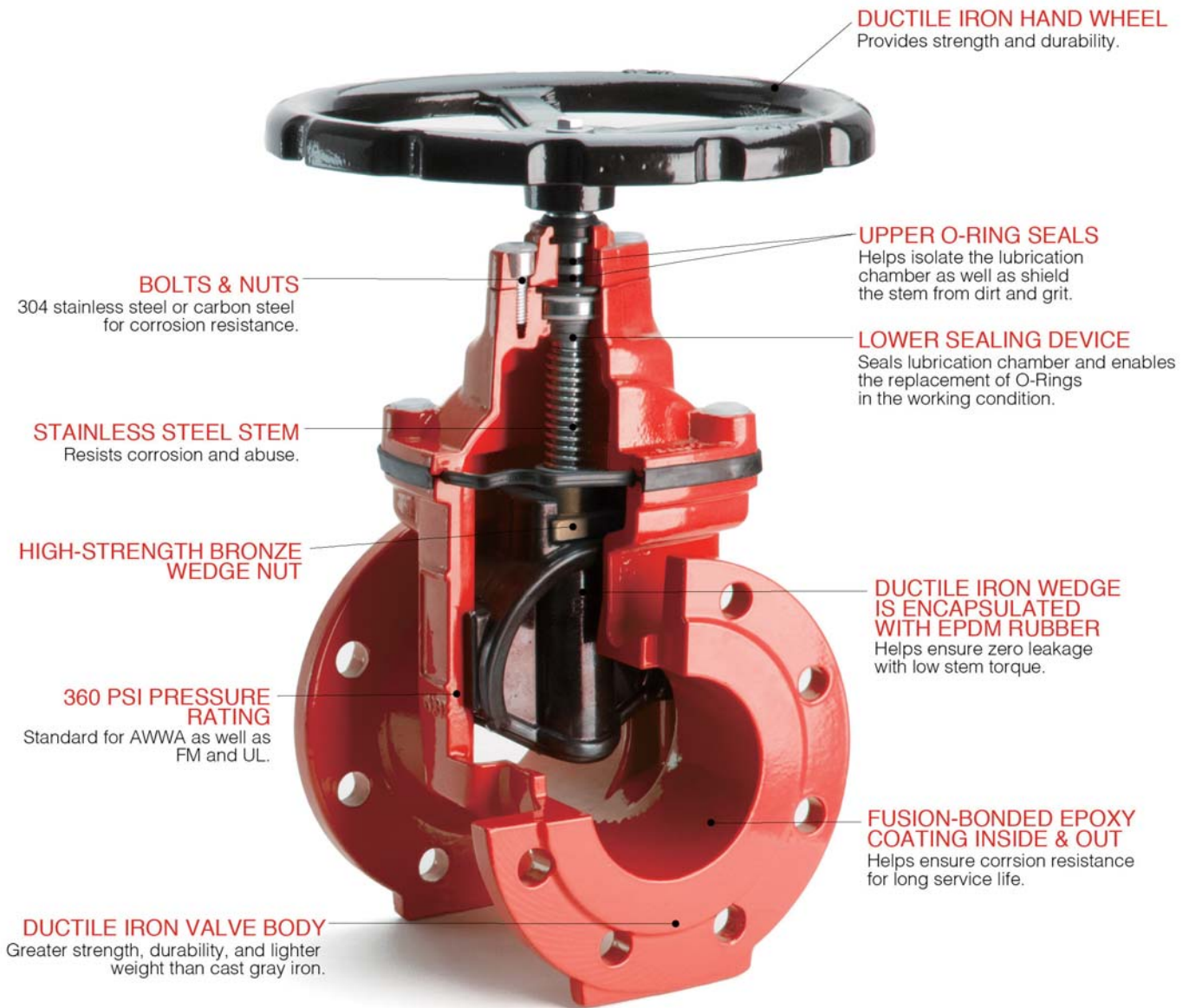


Dimensions		Pressure rating	Size (mm)		
DN	inch		psi	ΦD	L
50	2	300	152	203	170
65	2.5	300	178	216	195
80	3	300	191	241	210
100	4	300	229	292	250
125	5	300	254	330	290
150	6	300	279	356	350
200	8	300	343	495	420
250	10	300	406	622	550
300	12	300	483	698	645

# ENTTECH



# Ductile Iron Valve for Fire Protection



## ENTECH d.o.o.

ADD: Viline vode 6, 11000 Beograd, SRBIJA

TEL/FAX: +381-11-3392307

C: +381-63-213533

E-MAIL: [office@entech.rs](mailto:office@entech.rs)

WEB: [www.entech.rs](http://www.entech.rs)