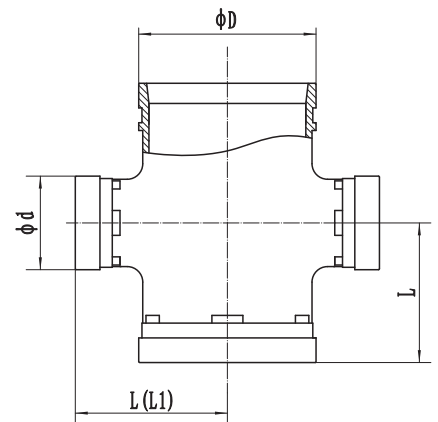
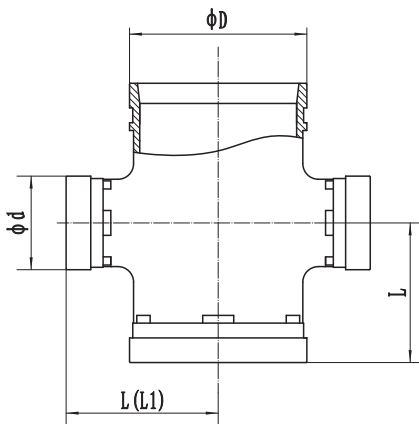


Nominal Size mm/in	Pipe O.D mm/in	Dimensions				Working pressure (Psi)
		L (mm)		D	d	
		L	L1	mm	mm	
65×32	73×42.4	76		73	42	300
2 1/2×1 1/4	2.875×1.669	76		73	48	
65×40	73×48.3	76		73	60	
2 1/2×1 1/2	2.875×1.9	76		76	42	
65×50	73×60.3	76		76	48	
2 1/2×2	2.875×2.375	76		76	60	
65×32	76.1×42.4	76		76	42	
2 1/2×1 1/4	3×1.669	76		76	48	
65×40	76.1×48.3	76		76	60	
2 1/2×1 1/2	3×1.9	76		76	42	
65×50	76.1×60.3	76		76	48	
2 1/2×2	3×2.375	76		76	60	
80×32	88.9×42.4	86		89	42	
3×1 1/4	3.5×1.669	86		89	48	
80×40	88.9×48.3	86		89	60	
3×1 1/2	3.5×1.9	86		89	76	
80×50	88.9×60.3	86		89	42	
3×2	3.5×2.375	86		89	48	
80×65	88.9×76.1	86		89	60	
3×2 1/2	3.5×3	86		89	76	
100×50	108×60.3	90	98	108	60	
4×2	4.25×2.375	90	98	108	76	
100×65	108×76.1	90	98	108	89	
4×2 1/2	4.25×3	90	98	108	42	
100×80	108×88.9	90	98	108	48	
4×3	4.25×3.5	90	98	114	60	
100×32	114.3×42.4	90	98	114	76	
4×1 1/4	4.5×1.669	90	98	114	89	
100×40	114.3×48.3	90	98	114	108	
4×1 1/2	4.5×1.9	90	98	114	114	
100×50	114.3×60.3	90	98	114	60	
4×2	4.5×2.375	90	98	114	76	
100×65	114.3×76.1	90	98	114	89	
4×2 1/2	4.5×3	90	98	114	76	
100×80	114.3×88.9	90	98	114	89	
4×3	4.5×3.5	90	98	114	108	
125×65	133×76.1	105		133	76	
5×2 1/2	5.25×3	105		133	89	
125×80	133×88.9	105		133	108	
5×3	5.25×3.5	105		133	114	
125×100	133×108	105		140	60	
5×4	5.25×4.25	105		140	76	
125×100	133×114.3	105		140	89	
5×4	5.25×4.5	105		140	108	
125×50	139.7×60.3	105		140	114	
5×2	5.5×2.375	105		141	60	
125×65	139.7×76.1	105		141	73	
5×2 1/2	5.5×3	105		141	89	
125×80	139.7×88.9	105		141	108	
5×3	5.5×3.5	105		141	114	
125×100	139.7×108	105		141	141	
5×4	5.5×4.25	105		141	141	
125×100	139.7×114.3	105		141	141	
5×4	5.5×4.5	105		141	141	
125×50	141.3×60.3	105		141	141	
5×2	5.563×2.375	105		141	141	
125×65	141.3×73	105		141	141	
5×2 1/2	5.563×2.875	105		141	141	
125×80	141.3×88.9	105		141	141	
5×3	5.563×3.5	105		141	141	
125×100	141.3×108	105		141	141	
5×4	5.563×4.25	105		141	141	

Grooved Reducing Cross



Grooved Reducing Cross



Nominal Size mm/in	Pipe O.D mm/in	Dimensions				Working pressure (Psi)
		L (mm)		D	d	
		L	L1	mm	mm	
125×100 5×4	141.3×114.3 5.563×4.5	105		141	114	300
150×65 6×2½	159×76.1 6.25×3	110	120	159	76	
150×80 6×3	159×88.9 6.25×3.5	110	120	159	89	
150×100 6×4	159×108 6.25×4.25	110	120	159	108	
150×100 6×4	159×114.3 6.25×4.5	110	120	159	114	
150×125 6×5	159×133 6.25×5.25	110	120	159	133	
150×50 6×2	165.1×60.3 6.5×2.375	110	120	165	60	
150×65 6×2½	165.1×76.1 6.5×3	110	120	165	76	
150×80 6×3	165.1×88.9 6.5×3.5	110	120	165	89	
150×100 6×4	165.1×108 6.5×4.25	110	120	165	108	
150×100 6×4	165.1×114.3 6.5×4.5	110	120	165	114	
150×125 6×5	165.1×133 6.5×5.25	110	120	165	133	
150×125 6×5	165.1×139.7 6.5×5.5	110	120	165	140	
150×50 6×2	168.3×60.3 6.625×2.375	110	120	168	60	
150×65 6×2½	168.3×76.1 6.625×3	110	120	168	76	
150×80 6×3	168.3×88.9 6.625×3.5	110	120	168	89	
150×100 6×4	168.3×108 6.625×4.25	110	120	168	108	
150×100 6×4	168.3×114.3 6.625×4.5	110	120	168	114	
150×125 6×5	168.3×133 6.625×5.25	110	120	168	133	
150×125 6×5	168.3×139.7 6.625×5.5	110	120	168	140	
200×65 8×2½	219.1×76.1 8.625×3	146		219	76	
200×80 8×3	219.1×88.9 8.625×3.5	146		219	89	
200×100 8×4	219.1×108 8.625×4.25	146		219	108	
200×100 8×4	219.1×114.3 8.625×4.5	146		219	114	
200×125 8×5	219.1×133 8.625×5.25	146		219	133	
200×125 8×5	219.1×139.7 8.625×5.5	146		219	140	
200×150 8×6	219.1×159 8.625×6.25	146		219	159	
200×150 8×6	219.1×165.1 8.625×6.5	146		219	165	