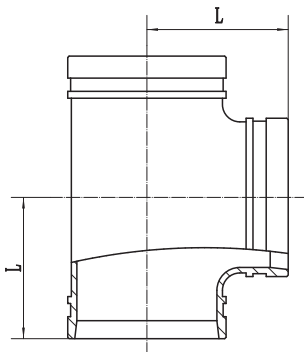


Grooved Tee Short



Nominal Size mm/in	Pipe O.D mm/in	Dimensions	Working Pressure (psi)
		L (mm)	
50	60.3	70	300
2	2.375		
65	73	76	
2 1/2	2.875		
65	76.1	76	
2 1/2	3		
80	88.9	85	
3	3.5		
100	108	102	
4	4.25		
100	114.3	102	
4	4.5		
125	133	121	
5	5.25		
125	139.7	121	
5	5.5		
125	141.3	121	
5	5.563		
150	159	130	
6	6.25		
150	165.1	130	
6	6.5		
150	168.3	140	
6	6.625		
200	219.1	175	
8	8.625		
250	273	215	
10	10.75		
300	323.9	220	
12	12.75		