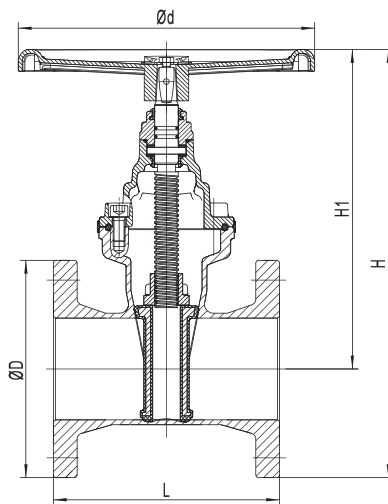


AWWA C515 Resilient seated NRS gate valve-flange end

Name of parts	Material
Body	Ductile iron
Wedge	Ductile iron+EPDM
Stem nut	Bronze
Stem	SS431 or SS304,SS316,bronze
Bonnet	Ductile iron
Bonnet Gasket	EPDM
Sealing Ring	EPDM
Upper cover	Ductile iron
Sliding disc	Bronze
Screw	Carbon steel with hot galvanization
O-rings	EPDM
Handwheel	Ductile iron



Technical data >

- Sizes: 2" ~ 12"
- Working pressure: 175PSI, 300PSI
- Valve standard: AWWA C515
- Flange standard: ASME-B16.1 Class125
- Temperature range: 0 ~ 80 °C

Dimensions		Pressure rating	Size (mm)				
DN	inch	psi	ΦD	L	H1	H	Φd
50	2	175	152	178	256	332	203
		300					
65	2.5	175	178	190	256	345	203
		300					
80	3	175	191	203	273.5	369	203
		300					
100	4	175	229	229	323.5	438	300
		300					
125	5	175	254	254	376	503	300
		300					
150	6	175	279	267	423.5	563	300
		300					
200	8	175	343	292	530.5	702	406
		300					
250	10	175	406	330	645	848	406
		300					
300	12	175	483	356	725.5	967	406
		300					