

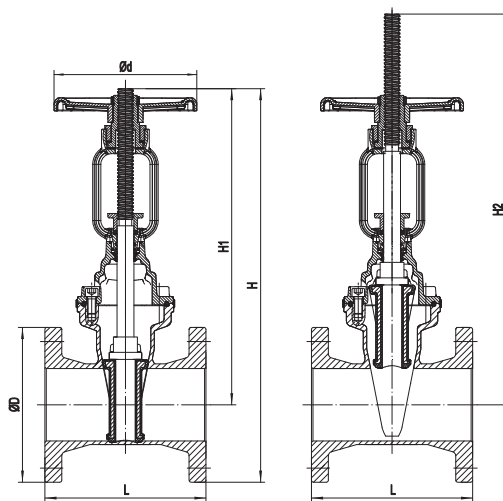
## AWWA C515 Resilient seated OS&Y gate valve-flange end



### Technical data >

- Sizes: 2" ~ 12"
- Working pressure: 175PSI, 300PSI
- Valve standard: AWWA C515
- Flange standard: ASME-B16.1 Class125
- Temperature range: 0 ~ 80 C

Name of parts	Material
Body	Ductile iron
Wedge	Ductile iron+EPDM
Stem nut	Bronze
Stem	SS431 or SS304, SS316, bronze
Bonnet	Ductile iron
Bonnet Gasket	EPDM
Sealing Ring	EPDM
Yoke	Ductile iron
Sliding disc	Bronze
Screw	Carbon steel with hot galvanization
O-rings	EPDM
Handwheel	Ductile iron



Dimensions		Pressure rating	Size (mm)					
DN	inch	psi	ΦD	L	H1	H2	H	Φd
50	2	175	152	178	358.5	420.5	434.5	203
		300						
65	2.5	175	178	190	359.5	429.5	448.5	203
		300						
80	3	175	191	203	378	462	473.5	203
		300						
100	4	175	229	229	449.5	553	564	203
		300						
125	5	175	254	254	549.5	677	676.5	300
		300						
150	6	175	279	267	591.5	747	731	300
		300						
200	8	175	343	292	735.5	938	907	330
		300						
250	10	175	406	330	900.5	1161	1103.5	406
		300						
300	12	175	483	356	1045.5	1353	1287	406
		300						