

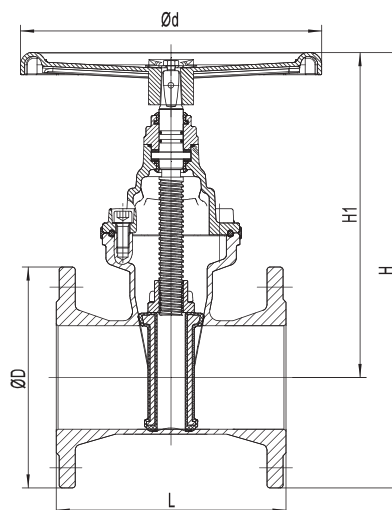
## BS5163 Resilient seated NRS gate valve-flange end



### Technical data >

- Sizes: DN50~DN300
- Working pressure: PN16/PN25
- Valve standard: BS5163
- Flange standard: EN1092-2
- Temperature range: 0 ~ 80 °C

Name of parts	Material
Body	Ductile iron
Wedge	Ductile iron+EPDM
Stem nut	Bronze
Stem	SS431 or SS304, SS316, bronze
Bonnet	Ductile iron
Bonnet Gasket	EPDM
Sealing Ring	EPDM
Upper cover	Ductile iron
Sliding disc	Bronze
Screw	Carbon steel with hot galvanization
O-rings	EPDM
Handwheel	Ductile iron



Dimensions		Pressure rating	Size (mm)																																																																																										
DN	inch	PN	ΦD	L	H1	H	Φd																																																																																						
50	2	16	165	178	256	338.5	203																																																																																						
		25		216				65	2.5	16	185	190	256	348.5	203	25	241	80	3	16	200	203	273.5	373.5	203	25	283	100	4	16	220	229	323.5	433.5	300	25	235	305	441	125	5	16	250	254	376	501	300	25	270	381	511	150	6	16	285	267	423.5	566	300	25	300	403	573.5	200	8	16	340	292	530.5	700.5	406	25	360	419	710.5	250	10	16	400	330	645	845	406	25	425	457	857.5	300	12	16	455	356	725.5
65	2.5	16	185	190	256	348.5	203																																																																																						
		25		241				80	3	16	200	203	273.5	373.5	203	25	283	100	4	16	220	229	323.5	433.5	300	25	235	305	441	125	5	16	250	254	376	501	300	25	270	381	511	150	6	16	285	267	423.5	566	300	25	300	403	573.5	200	8	16	340	292	530.5	700.5	406	25	360	419	710.5	250	10	16	400	330	645	845	406	25	425	457	857.5	300	12	16	455	356	725.5	953	406	25	485	502	953				
80	3	16	200	203	273.5	373.5	203																																																																																						
		25		283				100	4	16	220	229	323.5	433.5	300	25	235	305	441	125	5	16	250	254	376	501	300	25	270	381	511	150	6	16	285	267	423.5	566	300	25	300	403	573.5	200	8	16	340	292	530.5	700.5	406	25	360	419	710.5	250	10	16	400	330	645	845	406	25	425	457	857.5	300	12	16	455	356	725.5	953	406	25	485	502	953														
100	4	16	220	229	323.5	433.5	300																																																																																						
		25	235	305		441		125	5	16	250	254	376	501	300	25	270	381	511	150	6	16	285	267	423.5	566	300	25	300	403	573.5	200	8	16	340	292	530.5	700.5	406	25	360	419	710.5	250	10	16	400	330	645	845	406	25	425	457	857.5	300	12	16	455	356	725.5	953	406	25	485	502	953																										
125	5	16	250	254	376	501	300																																																																																						
		25	270	381		511		150	6	16	285	267	423.5	566	300	25	300	403	573.5	200	8	16	340	292	530.5	700.5	406	25	360	419	710.5	250	10	16	400	330	645	845	406	25	425	457	857.5	300	12	16	455	356	725.5	953	406	25	485	502	953																																						
150	6	16	285	267	423.5	566	300																																																																																						
		25	300	403		573.5		200	8	16	340	292	530.5	700.5	406	25	360	419	710.5	250	10	16	400	330	645	845	406	25	425	457	857.5	300	12	16	455	356	725.5	953	406	25	485	502	953																																																		
200	8	16	340	292	530.5	700.5	406																																																																																						
		25	360	419		710.5		250	10	16	400	330	645	845	406	25	425	457	857.5	300	12	16	455	356	725.5	953	406	25	485	502	953																																																														
250	10	16	400	330	645	845	406																																																																																						
		25	425	457		857.5		300	12	16	455	356	725.5	953	406	25	485	502	953																																																																										
300	12	16	455	356	725.5	953	406																																																																																						
		25	485	502		953																																																																																							