

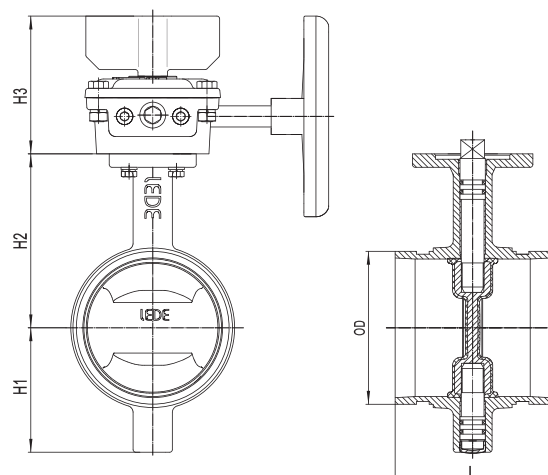
## Butterfly valve with tamper switch grooved end



Name of parts	Material
Body	Ductile iron
Plug	EPDM
Driven shaft	1Cr17Ni2
Disc	Ductile iron and EPDM
Actuating shaft	1Cr17Ni2
Bearing bush	Bronze
O-rings	EPDM
Gear operator	Ductile iron and steel

### Technical data >

- Sizes: 60.3~219.1
- Working pressure: 60.3~168.3 362 psi, 219.1 232psi
- Valve standard: MSS SP-67
- Grooved standard: AWWA C606
- Top Flange standard: EN ISO 5211
- Temperature range: 0 ~ 80 °C



Dimensions		Pressure rating	Size (mm)					
DN	inch		psi	OD	L	H1	H2	H3
50	2	362	60.3	81	56	91	103	F05
65	2.5		73		96.8	68	104	103
		76.1						
80	3	362	88.9	96.8	75	111	103	F07
100	4	362	114.3	115.8	93	130	103	F07
125	5	362	139.7	147.6	111	153	103	F07
			141.3		111	153		
150	6	362	165.1	147.6	123	165	103	F07
			168.3		123	165		
200	8	362	219.1	133.4	160	194	109	F07