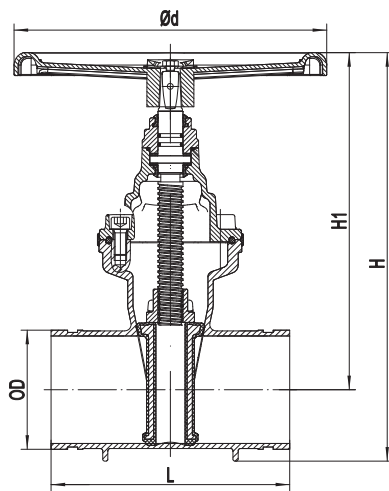


Resilient seated NRS gate valve grooved end

| Name of parts | Material |
|---------------|-------------------------------------|
| Body | Ductile iron |
| Wedge | Ductile iron+EPDM |
| Stem nut | Bronze |
| Stem | SS431 or SS304, SS316, bronze |
| Bonnet | Ductile iron |
| Bonnet Gasket | EPDM |
| Sealing Ring | EPDM |
| Upper cover | Ductile iron |
| Sliding disc | Bronze |
| Screw | Carbon steel with hot galvanization |
| O-rings | EPDM |
| Handwheel | Ductile iron |



Technical data >

- Sizes: DN50/60~DN200/219
- Working pressure: PN25, 362PSI
- Valve standard: AWWA C515
- Grooved standard: AWWA C606
- Temperature range: 0 ~ 80 °C

| Dimensions | | Pressure rating psi | Size (mm) | | | | |
|------------|------|------------------------|-----------|-----|-------|-----|-----|
| DN | inch | | ΦD | L | H1 | H | Φd |
| 50 | 2 | 362 | 60.3 | 178 | 256 | 301 | 203 |
| 65 | 2.5 | | 73 | | | 190 | |
| | | 76.1 | 309 | | | | |
| 80 | 3 | 362 | 88.9 | 203 | 273.5 | 333 | 203 |
| 100 | 4 | 362 | 114.3 | 229 | 323.5 | 396 | 300 |
| 125 | 5 | 362 | 139.7 | 254 | 376 | 461 | 300 |
| | | | 141.3 | | | 462 | |
| 150 | 6 | 362 | 165.1 | 267 | 423.5 | 521 | 300 |
| | | | 168.3 | | | 523 | |
| 200 | 8 | 362 | 219.1 | 292 | 530.5 | 660 | 406 |