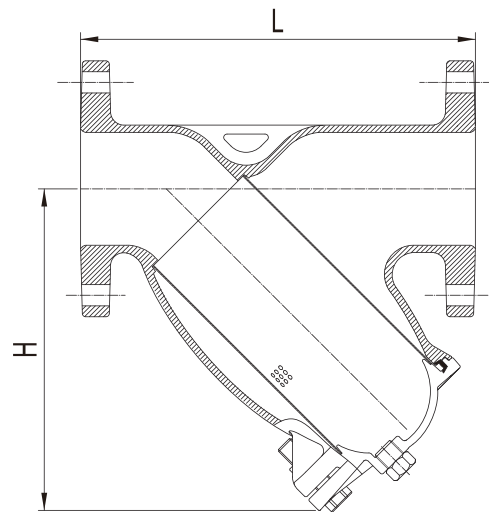


Y strainer with flange end



Name of parts	Material
Body	Ductile iron
Cover	Ductile iron
Gasket	EPDM
Screen	SS304
Plug	Bronze



Technical data >

- Sizes: 2"~12"
- Working pressure: 300psi
- Flange standard: ASME-B16.1 Class125
- Temperature range: 0 ~ 80 °C

Dimensions		Pressure rating	Size (mm)		
DN	inch		psi	ΦD	L
50	2	300	152	230	154
65	2.5	300	178	290	201
80	3	300	191	310	210
100	4	300	229	350	269
125	5	300	254	400	320
150	6	300	279	480	357
200	8	300	343	550	442
250	10	300	406	650	525
300	12	300	483	750	620